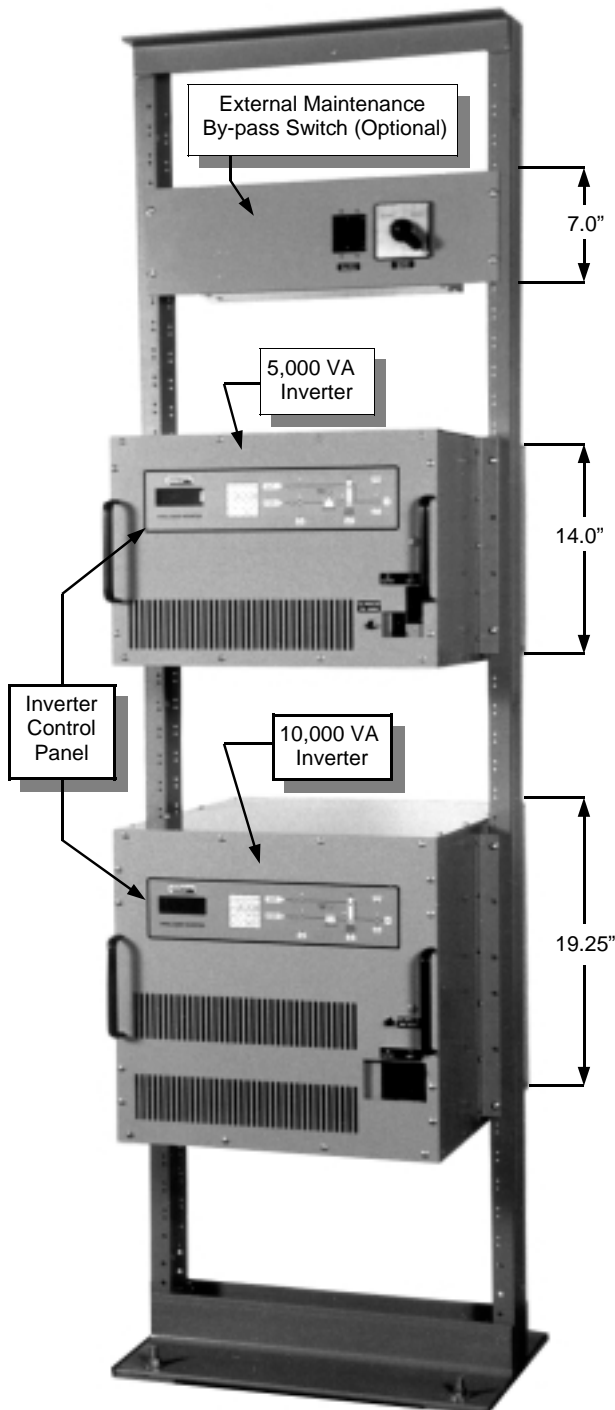




HPi Series Inverters

5 kVA & 10 kVA 60 Hz Output 48 VDC Input



The illustration above shows relative sizes of the 5 KVA, 10 KVA Inverters and optional External By-pass Switch. The 23" rack is not included in the package.

Standard Features

Microprocessor Control Circuit

- Provides comprehensive yet user friendly interface between the Inverter and the operator
- LCD Digital Meter and Alarm display
- Industrial style LED Mimic Diagram
- Control programs can be field upgraded
- RS232 Communication Port option available

Power Circuit

- High frequency switching PWM technology, using IGBTs
- Pure Sine Wave AC output
- Low audible noise
- High efficiency
- Input Output isolation
- Powers virtually any load, compatible with Nonlinear and Active Power Factor Corrected AC Loads
- DC Input Circuit Breaker
- DC Input Pre-charge Switch
- AC Output Circuit Breaker

Integral Static Bypass Switch

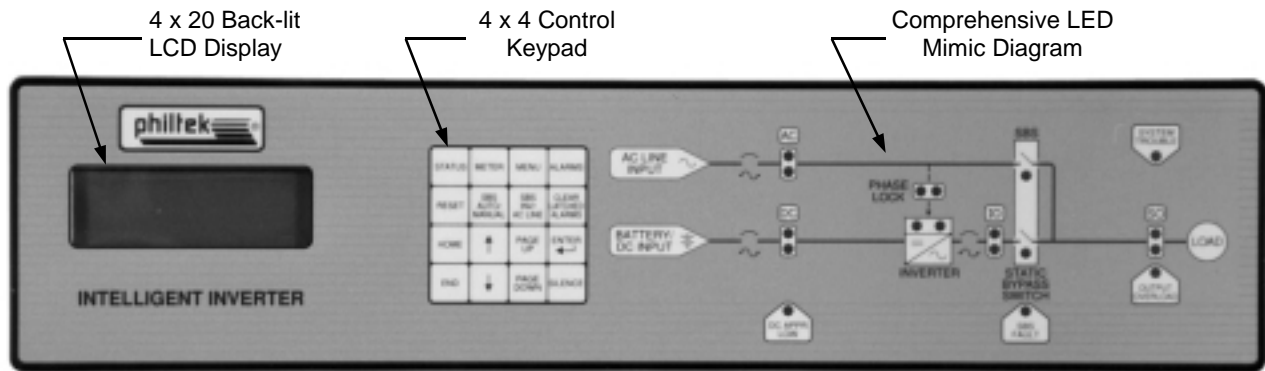
- Output power fully rated
- Zero Break with 2 mSec detection time
- User configured to operate in the On-line (Inverter preferred) or the Off-line (AC line preferred) mode
- Provides economy operation when operated in the Off-line Mode
- Provides maximum Protection when operated in the On-line Mode

Packaging

- 23" Rack Mount, compact Design
- 5 KVA Inverter occupies only 14" or 8 RU, 10 KVA Inverter occupies only 19.25" or 11 RU
- Air intake at front and exhaust at rear , top and bottom clearances are not required
- Temperature Controlled Variable Speed Fans for cooling

CSA Certified





Inverter Control Panel

Inverter Specifications *(Subject to change without notice)*

DC Input

Nominal 48 V
 Range 42 to 60 V
 Current See Table
 Noise feedback < 32 dBrc

AC Output

Power See Table
 Voltage Single Phase 120V 60 Hz 2W+Gnd
 120/240V 60Hz 3W+Gnd
 Regulation ± 1%
 Dynamic Regulation:
 100 % step load ± 4%
 Recovery < 8 mSec
 Efficiency 84 % to 87%
 Distortion (linear load) < 1.0 % THD
 Non Linear Load Capability Up to 100 %
 Active P.F. Corrected Loads Compatible
 Load Power Factor (PF) 0.8
 Frequency Tolerance ± 0.1 % free running
 Overload 120 % for 10 minutes
 Synchronization:
 Range ± 1.5 Hz
 Rate 1 Hz per Sec

Bypass AC

Voltage Single Phase 120V 60 Hz 2W+Gnd
 120/240V 60Hz 3W+Gnd
 Current Same as output current

Static Bypass Switch

Transfer Time 2 mSec typical
 4 mSec maximum
 Voltage Tolerance ± 10 %
 Frequency Tolerance ± 1.5 Hz
 Overload: 120 % for 10 Minutes
 1000 % for 8 ms

Metering

Standard Output AC Volt and Amp
 with *EMD option *System Output V , A & Hz
 *Inverter Output V , A & Hz
 *Bypass AC V , A & Hz
 *DC Input V & A

Environmental

Temperature 0° C to 40° C
 Humidity 95 % RH
 Audible noise 50 dBA @ 1 meter typical
 Cooling Forced Air with temperature Controlled Fans

Ordering Information

Model #	AC Output 1Φ	Power @ 0.8PF	Input Current	Dim. W x D x H	Weight
HPI 5K-48-N	120V 60 Hz 2 Wire	5,000 VA	114 A @ 42 V	23"x 22"x 14"	250 Lbs.
HPI 5K-48-B	120/240V 60 Hz 3 Wire	5,000 VA	114 A @ 42 V	23"x 22"x 14"	250 Lbs.
HPI10K-48-N	120V 60 Hz 2 Wire	10,000 VA	224 A @ 42 V	23"x 22"x19.25"	350 Lbs.
HPI10K-48-B	120/240V 60 Hz 3 Wire	10,000 VA	224 A @ 42 V	23"x 22"x19.25"	350 Lbs.

Option Table

Code	Option
EMD	Enhance Metering Display see *above
MBSXR	External Maintenance Bypass Switch Make before Break allows complete service with no power interruption Dimensions 23" W x 6" D x 7" H
RS232	RS 232 Communication Port allows remote control and diagnosis

For Example:

HPI 10K-48-N-MBSXR-EMD

Model No.

Options

For More Information please Contact:

In Canada

In USA

Philtek Electronics Ltd.

Philtek Power Corp.

Tel: (604) 270-4642

Tel: (360) 332-7252

Fax: (604) 270-8343

Fax: (360) 332-7253

www.philtek.com

(Printed in Canada 501)